

# Heliport Inset Light

**AH-HP/I**



Heliport Inset light is always be installed at locations where the lights are frequently knocked down by aircraft or maintenance vehicles.

It could be used as Aiming point light, perimeter light of FATO(Final approach and take-off areas), TLOF (Touchdown and lift-off areas), taxiway, runway, flight path Lighting, etc. The emitting color is green or yellow or white or blue.



## Compliance

- ICAO Annex 14 Volume II Heliports 5.3.
- FAA AC 150/5390-2B Heliport Design Guide



## Features

### Electrical

- LED as light source saving power consumption and maintenance, 95% less power than equivalent incandescent light
- Power supply available in AC(110-240VAC), DC48V

### Physical

- Pressure resistance lens allowed the vehicles go through on light
- Die-casting aluminum covered by black hard anodizing layer have good corrosion protection and load bearing
- IP68 waterproof ensure light work fine underground

### Optional

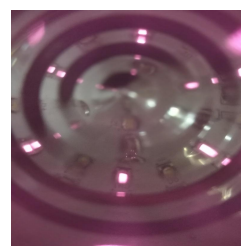
- Infrared LED for pilot using NVG(Night Vision Goggles)
- Controller for power supplying and turn ON/OFF light
- VHF pilot to ground remote control
- Marine treated

## APPLICATION



## Application

- Helipad/Heliport TLOF areas
- Heliport FATO ares
- Helipad Runway
- Helipad taxiway
- Aiming point light

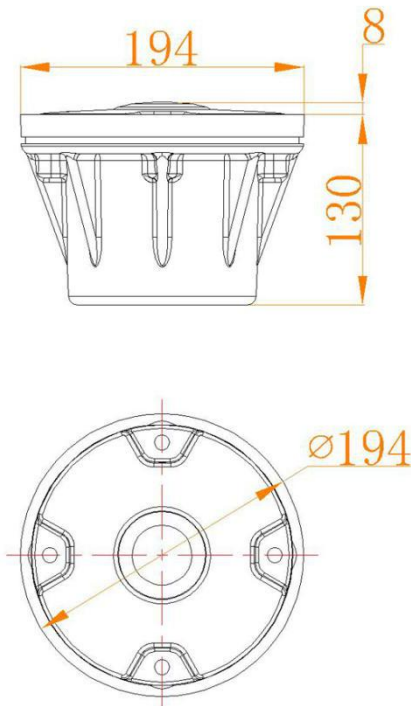


Infrared LED Compatible for NVG

# Heliport Inset Light

**AH-HP/I**

## Dimension



Heliport Lighting on roof of building



## SPECIFICATIONS

## AH-HP/I Heliport Inset Light

### Light Characteristics

Light Source	CREE Ultra high intensity LED
Available Colors	Green, White, Yellow, Blue, Red
Intensity(cd)	≥100cd
Flash Characteristics	Steady burning
Operation Mode	24hours operation
LED Life Experience(hours)	>100,000

### Electrical Characteristics

Operating Voltage	110-240VAC, 48VDC, 24VDC or others
Power(W)	7

### Physical Characteristics

Body Material	Anodized Die-casting aluminum
Base Material	Painted aluminum
Overall size(mm)	194×194×138
Installation size(mm)	199×199×146
Weight(kg)	4.5
Product Life Expectancy	Average 5 years

### Environmental Factors

Ambient Temperature(°C)	-55~70
Humidity	0~100%
Wind Speed	80m/s
Waterproof	IP68

### Compliance

ICAO	ICAO Annex 14 Volume II Heliports 5.3
------	---------------------------------------

### Options Available

Infrared LED compatible for NVG (Night Vision Goggles)
Marine Treated
VHF pilot to ground remote control